

External Fixation System



1



2



3



4

Peek Kit Complete, Sterile

1
99-36000 Metaphyseal Kit Sterile,
Radiolucent

2
99-90547 Ankle Kit Sterile,
Radiolucent

3
99-36501 Hybrid Kit Sterile,
Radiolucent

Note: Used together with Rings

4
99-91240 Additional Screw Holder

Micro Movement Fixator



Together with Compression-Distraction Unit, 6mm Allen Key

“()” means applicable

1
1001 A Micro Movement Fixator (long)
 27.6 cm between outermost screws when fixator fully closed, extends by 8cm

2
1000 A Micro Movement Fixator (middle)
 23.6 cm between outermost screws when fixator fully closed, extends by 4cm

3
10028 A Micro Movement Fixator (short)
 21.6 cm between outermost screws when fixator fully closed, extends by 2cm

Ball-Jointed Modules



Optional Clamps

4
 1006 Straight Clamp

5
 1007 T Clamp

6
 1040 Extended Range Clamp

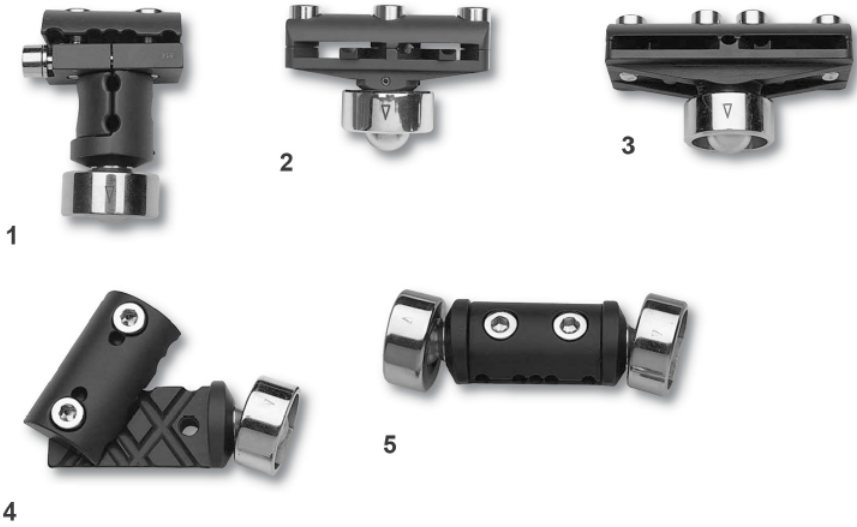
7
 1038 Hybrid coupling with Ball-Joint

8
 1052 Radiolucent Ankle Clamp



Micro Movement Fixator

Ball-Jointed Modules



- 1
1043 Metaphyseal Clamp
- 2
1042 GT Clamp
- 3
2055 B.G.T Clamp
- 4
31006 Angled Clamp
- 5
30023 Double-Coupling Clamp

Sterile Radiolucent Ankle Kit



- 6
90046 Sterile Radiolucent Ankle Kit
- 7
99-91240 Additional Screw Holder

Non Ball-Jointed Modules



7

Components/Replacements



1



2



3



4

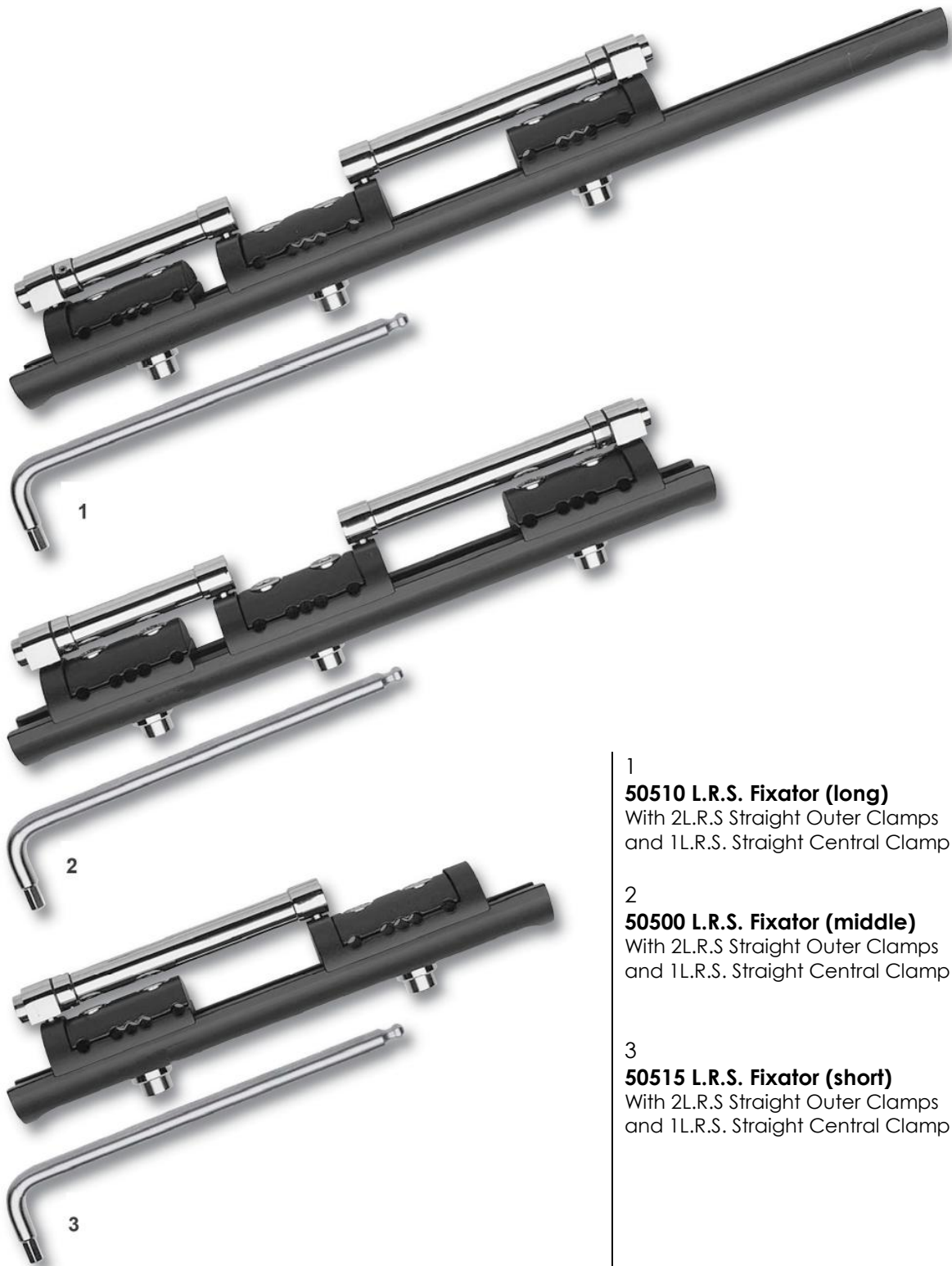
- 1
10002 Central Bodies
- 2
10018 Central Body
Components-Male
- 3
10019 Central Body
Components-Female
- 4
Compression-Distraction Unit
10009 Long
10008 Middle
10007 Short



Ball-Joint Modules



- 1
40000 Paediatric Fixator (middle)
- 2
30006 Paediatric Straight Clamp
- 3
31007 Paediatric T Clamp
- 4
30022 Paediatric Double Coupling Clamp



1
50510 L.R.S. Fixator (long)
With 2L.R.S Straight Outer Clamps
and 1L.R.S. Straight Central Clamp

2
50500 L.R.S. Fixator (middle)
With 2L.R.S Straight Outer Clamps
and 1L.R.S. Straight Central Clamp

3
50515 L.R.S. Fixator (short)
With 2L.R.S Straight Outer Clamps
and 1L.R.S. Straight Central Clamp

Components/Replacements



1



2



3



4



5



6



8



7



10



9



11



12



13

1

L.R.S. Rails
50560 Long
50550 Middle
50545 Short

2

50530 L.R.S. Straight Outer Clamp

3

50540 L.R.S. Straight Central
Clamp

4

50520 L.R.S. T-Clamp

5

50541 L.R.S. Ball-Joint Coupling

6

50112 L.R.S. Micrometric
Swivelling Clamp

7

50111 L.R.S. Micrometric BGT
Clamp

8

50580 L.R.S. Multiplanar Clamp

9

50690 L.R.S. Hinged Rail Coupling

10

50520 L.R.S. T Clamp Coupling

11

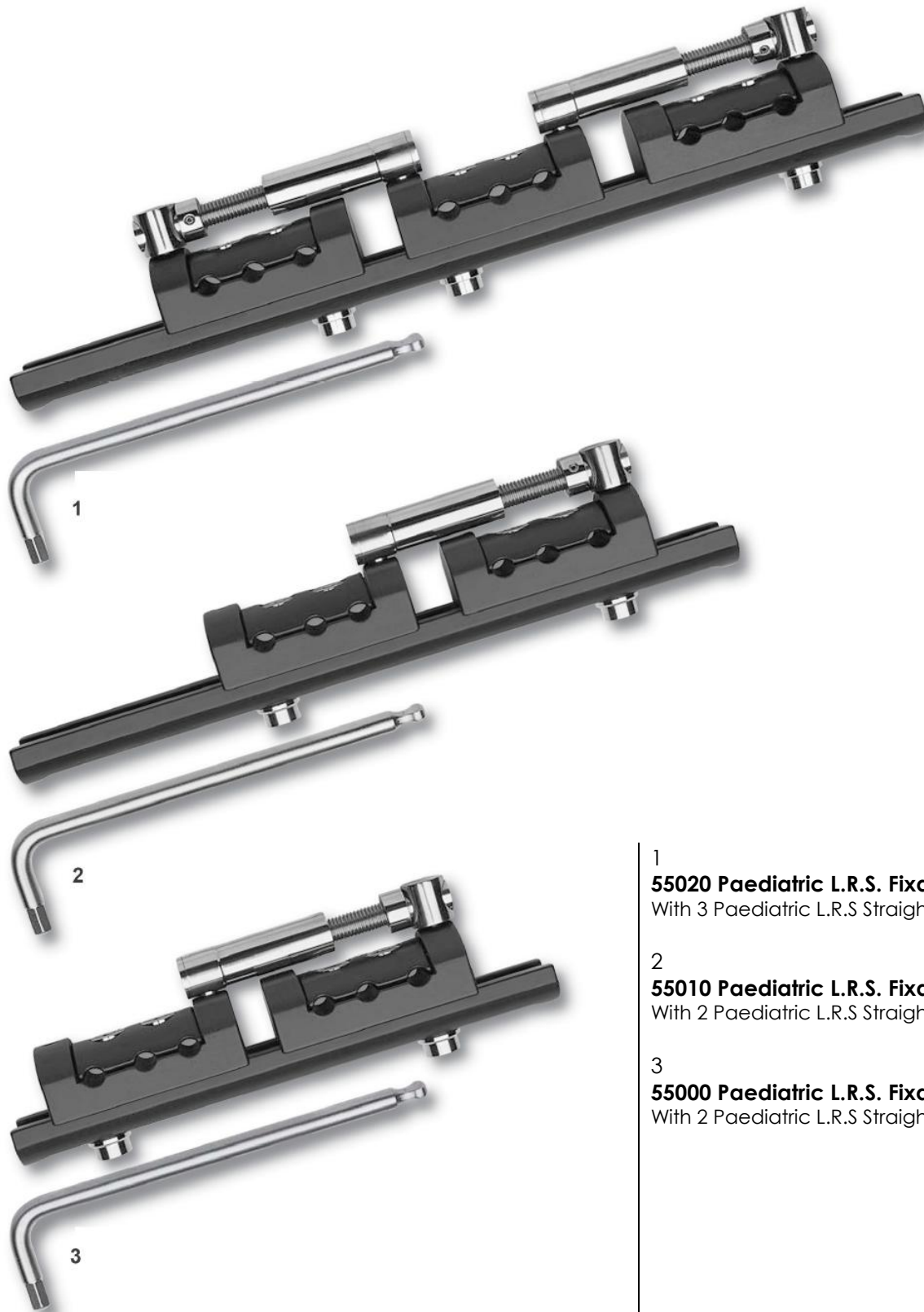
50547 Sandwich Clamp

12

50542 Dynamic Unit

13

10008 Compression-Distracton
Unit



1
55020 Paediatric L.R.S. Fixator (250 mm)
With 3 Paediatric L.R.S Straight Clamps

2
55010 Paediatric L.R.S. Fixator (200 mm)
With 2 Paediatric L.R.S Straight Clamps

3
55000 Paediatric L.R.S. Fixator (150 mm)
With 2 Paediatric L.R.S Straight Clamps

Components/Replacements



1



2



3



4



5



6



7

1

L.R.S. Rails

55080 Long
Length 25cm

55070 Middle
Length 20 cm

55060 Short
Length 15 cm

2

55050 Paediatric L.R.S. Straight
Outer Clamp

3

55055 Paediatric L.R.S. Straight
Central Clamp

4

55030 Paediatric L.R.S. T-
Clamp

5

55100 Paediatric L.R.S. Swivelling
Clamp

6

50540 Paediatric Dynamic Unit

7

10048 Paediatric Compression-
Distraction Unit



Wrist Fixator

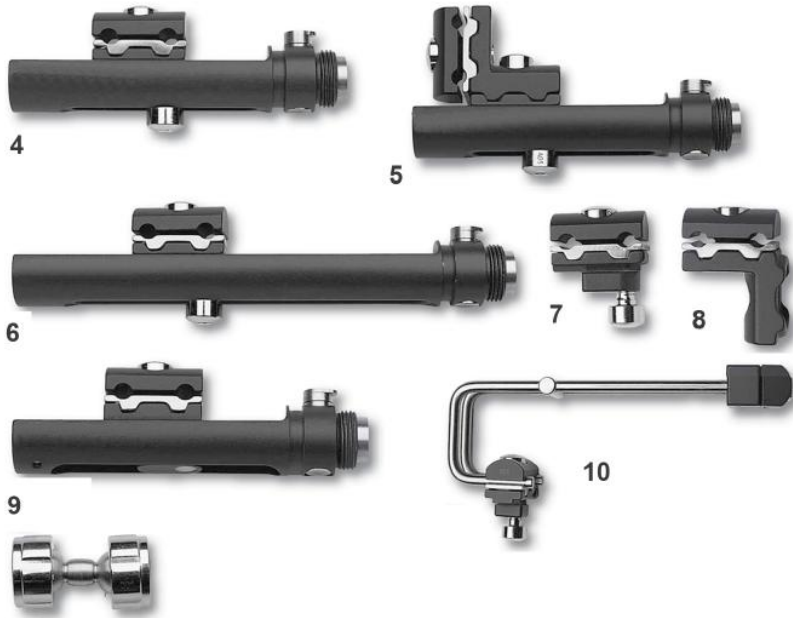


1

2

3

Components/Replacements



4

5

6

7

8

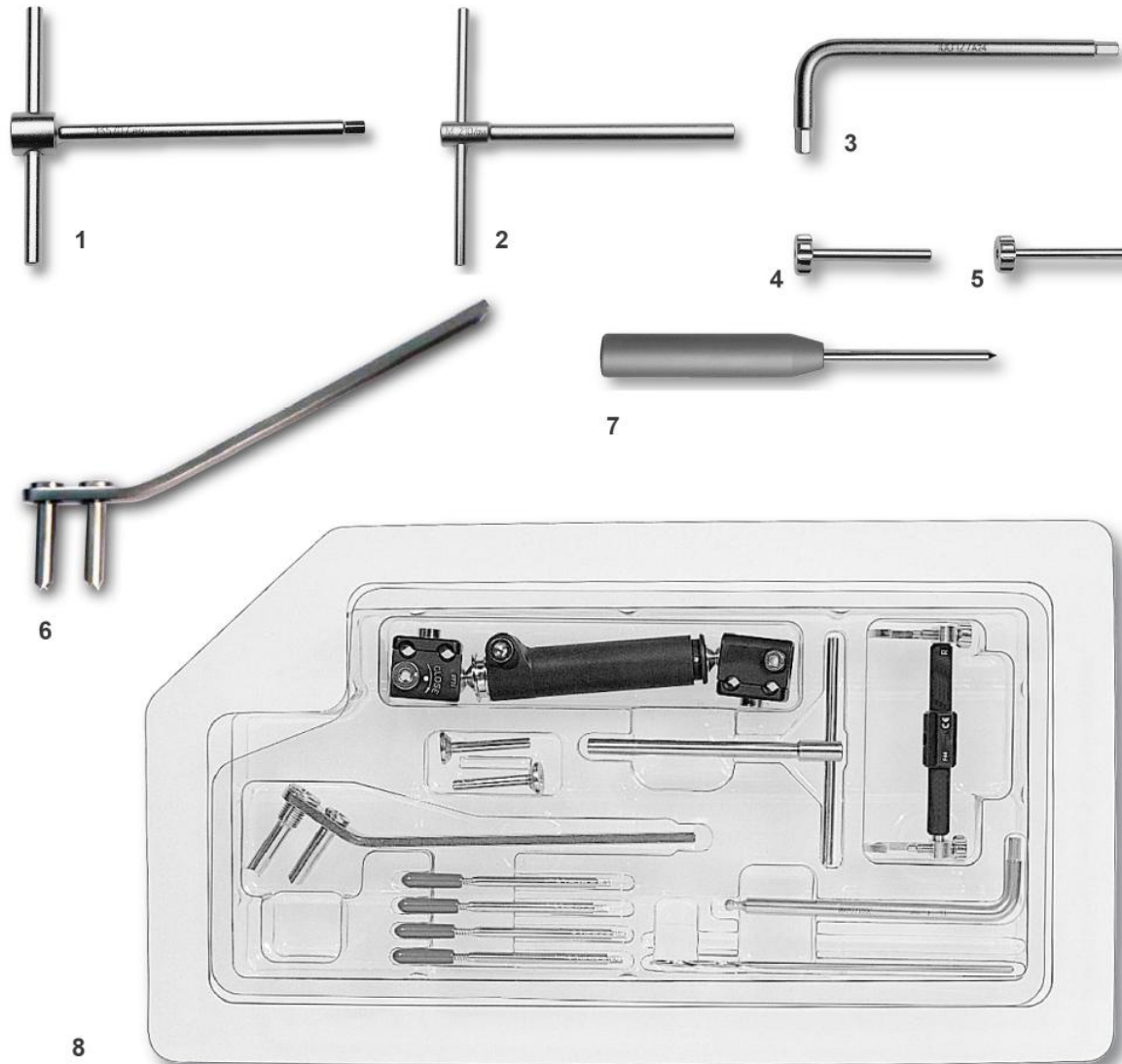
9

10

11

- 1
35000 Wrist Fixator 22m
Consisting of: 1 Short Module with Stright Clamp, Cam and Bush, 1 Long Module with straight Clamp, Cam and Bush and 1 Double Ball-Joint.
- 2
35001 Wrist Fixator 22m
(compression-distraction) 22mm
Consisting of: 1 Long Module with Stright Clamp, Cam and Bush, 1 Compression-Distraction Module straight Clamp, Cam and Bush and 1 Double Ball-Joint.
- 3
35002 Wrist Fixator
(extra-articular) 20mm
Consisting of: 1 Long Module with Stright Clamp, Cam and Bush, 1 Compression-Distraction Module straight Clamp, Cam and Bush and 1 Double Ball-Joint.
- 4
35010 Wrist Fixator-Short Module
(compression-distraction)
Consisting of: Straight Clamp, Cam and Bush.
- 5
35060 Wrist Fixator-Short Module
(compression-distraction)
Consisting of: T Clamp, Cam and Bush.
- 6
35020 Wrist Fixator-Long Module
(compression-distraction)
Consisting of: T Clamp, Cam and Bush.
- 7
37005 Wrist Fixator- Straight Clamp
- 8
37006 Wrist Fixator-T Clamp.
- 9
37060 Wrist Fixator-Compression-Distraction Module
(compression-distraction)
Consisting of: Straight Clamp, Cam and Bush.
- 10
37070 Wrist Fixator-Ulnar Outrigger Clamp
- 11
37081 Wrist Fixator-Double Ball-Joint

Instrumentation



1
T-wrench M415
 For Clamp Screw

2
T-wrench M414
 For 4mm Bone Screw

3 30017, 16, 15, 14, 13
 Allen wrench 6mm
 Allen wrench 5mm
 Allen wrench 4mm
 Allen wrench 3mm

4
 M190 Drill Guide Ø2.0

5
 M200 Drill Guide Ø2.7

6
 M2010 Template with handle

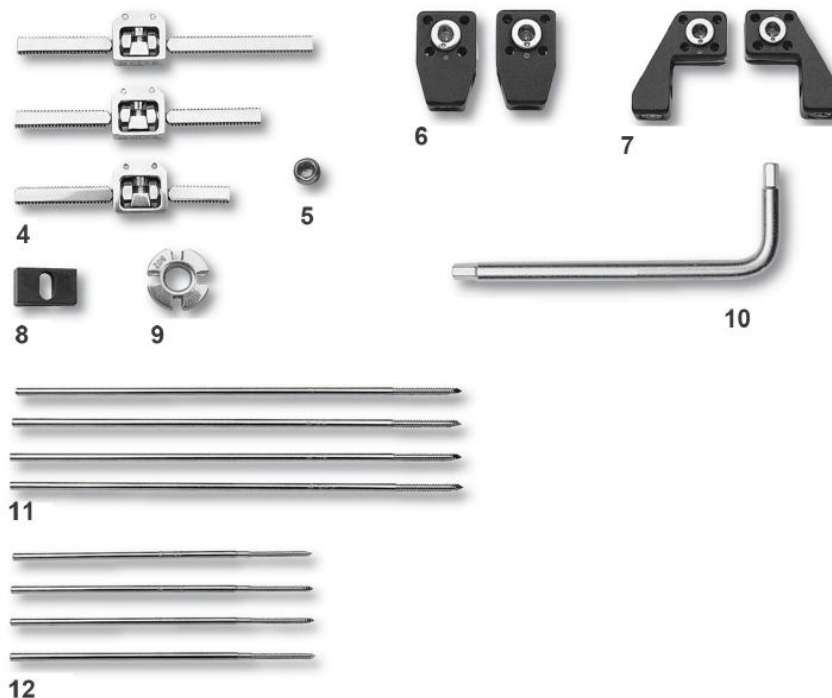
7
 110101, 110102 Tapered Trocar
 Ø4.8mm Tapered troca 195mm
 Ø4.8mm Tapered troca 195mm
 Tapered troca (for wrist fixator)

8
99-36500 Radiolucent Wrist Fixator Kit, Sterile
 Consisting of: 1 Radiolucent Wrist Fixator, 1 Compression-Distraction Unit, 1 Allen Wrench 4 mm, 2 Drill Guides, 1 Drill Bit Ø2.7mm, 1 Screw Template, 1 T-Wrench, 2 Self-drilling Screws, shaft Ø4mm, thread Ø3-3.3mm, total length 70mm, thread length 20mm, 2self-drilling Screws, Shaft Ø4mm, thread Ø 3.3-3mm, total length 80mm, thread, length 25mm and 4 Bones Screws Covers

Mini Fixator



Components/Replacements



1

M-121 Long

Consisting of: 1 Minifixator Long Body,
2 Minifixator Standard Clamps and
2 Minifixator Compression-Distraction Nuts.

2

M-122 Standard

Consisting of: 1 Minifixator Standard Body,
2 Minifixator Standard Clamps and
2 Minifixator Compression-Distraction Nuts.

3

M-124 Short

Consisting of: 1 Minifixator Short Body,
2 Minifixator Standard Clamps and
2 Minifixator Compression-Distraction Nuts.

4

M-125 Minifixator Bodies

Long

(1 Long Bar and 1 Standard Bar: total length
87mm).

Standard

(1 Long Bar and 1 Standard Bar: total length
72mm).

Short

(1 Long Bar and 1 Standard Bar: total length
62mm).

5

M-137 Minifixator Clamp Locking Screw

6

M-136 Minifixator Standard Clamps

(1 pair)

7

M-138 Minifixator L-Clamp (Left-Right)

8

M-418 Minifixator Spacer

Used in association with Compression-
Distraction Nut, Lengthening Bar and Standard
Clamp.

9

M-135 Minifixator Compression Distraction Nut.

10

30013 Allen Wrench 3mm

11

80100 Threaded Wires Ø 2mm (pack of 4)

Total length 100mm.

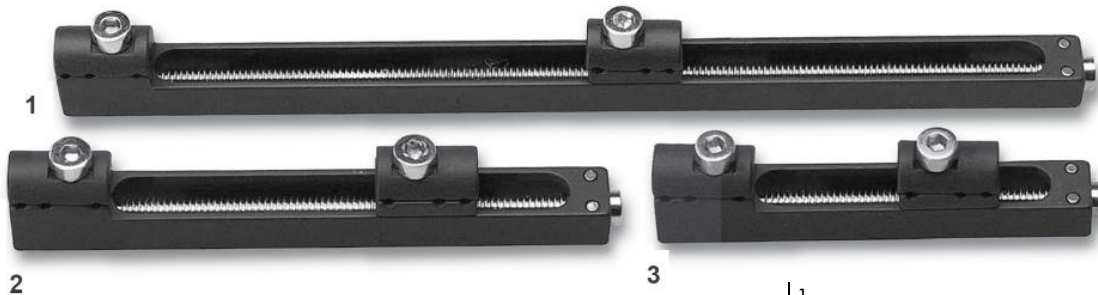
Thread length 15mm.

12

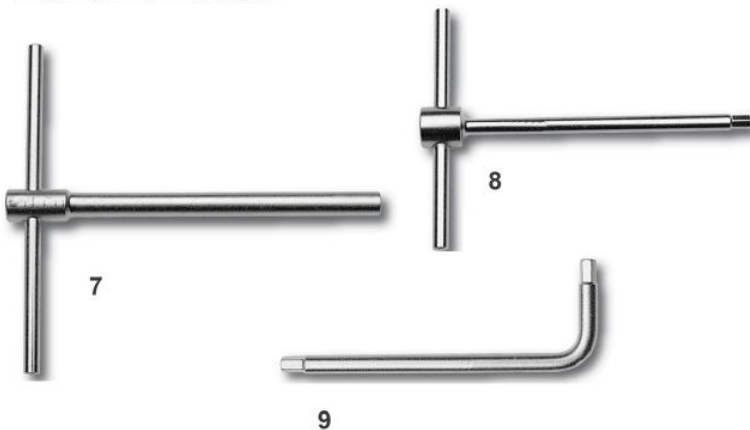
W-1219 Threaded Wires Ø 1.6mm (pack Of 4)

Total length 70mm.

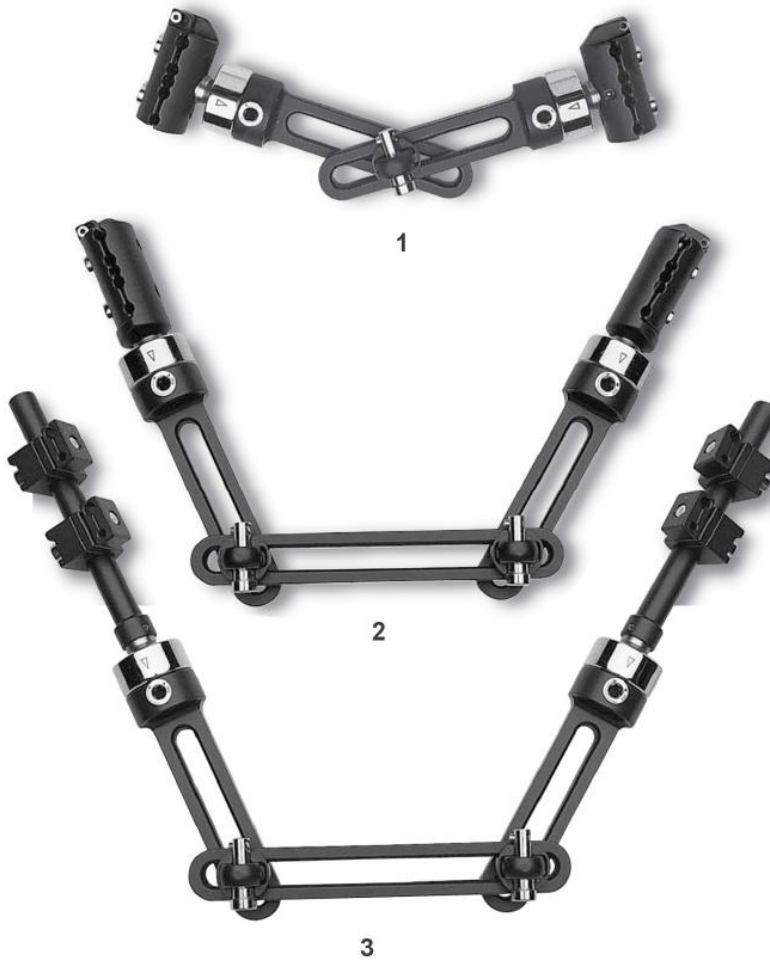
Thread length 15mm.



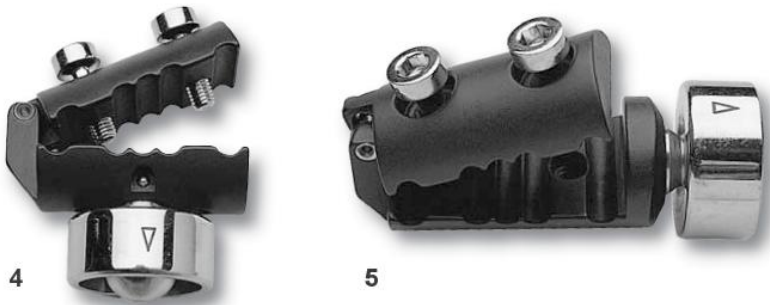
Instrumentation



- 1
M-101 Minirail Fixator (170mm)
- 2
M-102 Minirail Fixator (95mm)
- 3
M-103 Minirail Fixator (70mm)
- 4
M-111 Minirail Fixator (horizontal axis)
Allows articulation round and axis parallel to the bone screws.
- 5
M-122 Minirail Fixator (vertical axis)
Allows articulation round and axis vertical to the bone screws.
- 6
M-110 Minirail Fixator (horizontal II)
Horizonta
- 7
10130 T-Wrench
For Bone Screws.
- 8
11000 T-Wrench
For Clamps Screws.
- 9
30013Allen Wrench 3mm



Ball-Jointed Modules



1
10082 Pelvic Short-(235-305mm)
T-Clamps

Consisting of: 2 Primary Links,
1 Pelvic Fixator Connecting Unit,
2 Cams, 2 Bushes
2 T-Clamps and 1 Allen Wrench
6mm

2
10082 Pelvic Long-(420-535mm)
Straight Clamps

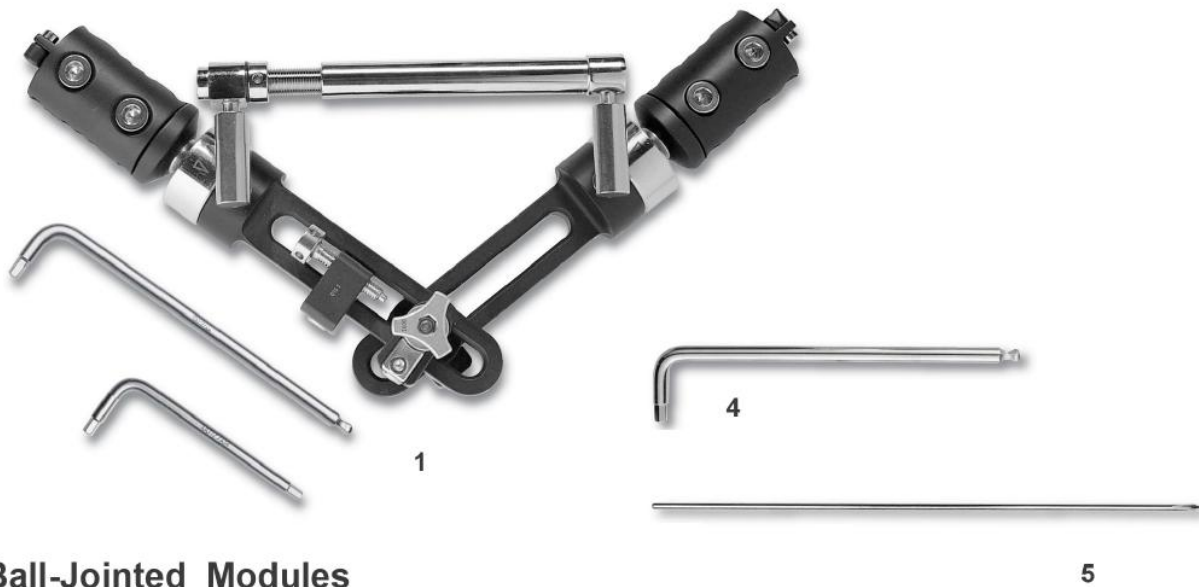
Consisting of: 2 Primary Links,
1 Pelvic Fixator Supplementary
Link,
1 Pelvic Fixator Connecting Unit,
2 Cams, 2 Bushes
2 Straight Clamps and 1 Allen
Wrench 6mm

3
**10083 Pelvic Long Carbon Clamp
and Road (510-620mm)**

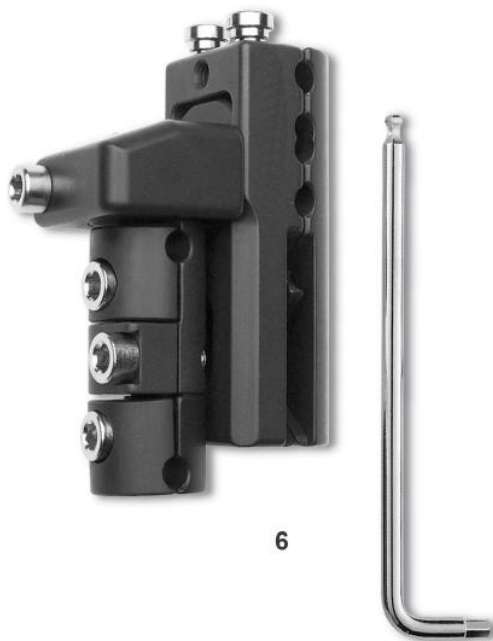
Modules for independent Screws
Placement
Consisting of: 2 Primary Links,
1 Pelvic Fixator Supplementary
Link,
1 Pelvic Fixator Connecting Unit,
2 Cams, 2 Bushes, 2 Ball-Jointed
Modules or independent Screw
Placement and 1 Allen Wrench
6mm

4
1007 T-Clamp
For Anterior Applications

5
1006 Straight Clamp
For Iliac crest applications.



Ball-Jointed Modules



- 1
Elbow Fixator With Straight Clamps
Consisting of: 2 Primary Links,
1 Elbow Fixator Central Connecting Unit, 2
Cams, 2 Bushes
1 Elbow Fixator Small Distractor,
2 Stright Clamps,
1 pair of Elbow Fixator
Compression_Distractor Unit Spacers, 1 Long
Compression-Distraction Unit, 1 Allen
Wrench 6mm and 1 allen Wrench 3mm
- 2
1007 Straight Clamps
Acts its own template for insertion of screws
in the numerous and ulna.
- 3
1006 Elbow Extended Range Clamp
Acts as its own template for screws insertions
in the ulna, it is used when a wider choice of
angle for screw placement is necessary.
- 4
30017, 13Allen Wrench
3mm
6mm
- 5
80122 K-Wire Without Olive Ø2mm
Length 150mm
- 6
**10029 Petrochanteric Fixator complete with
Allen Wrench 5 mm**

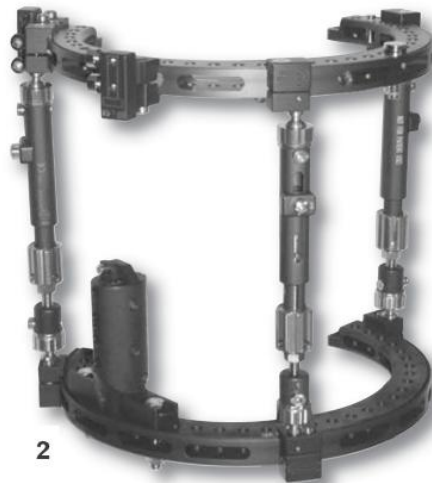


1

1

Hybrid Fixator Assembly SET

Consisting of: 1 1/2 Ring, 2 Two-Hole K-Wire Securing Pins, 2 Three-Hole Wire Clamp Slider Units, 1 Micromovement Central Body (Short or Standard), 1 Micromovement Straight Clamp, 1 Hybrid Coupling with Ball-Joint, 2 Posts, 2 Supplementary Screws Holder Clamps.

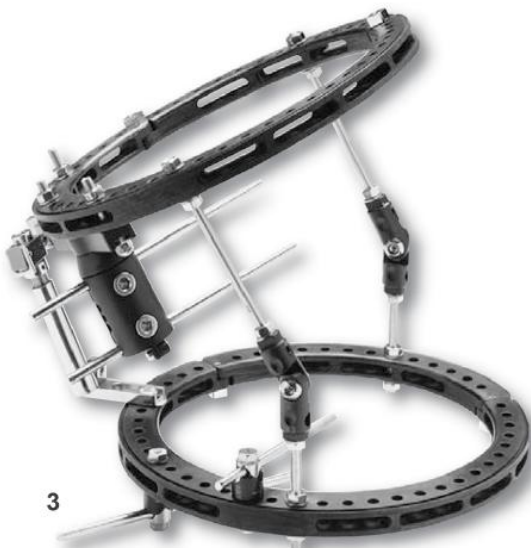


2

2

Sheffield Ring Fixator Assembly For Reconstruction SET

Consisting of: 2 1/2 Ring, 2 Two-Hole Securing Pins, 2 Three-Hole Wire Clamp Slider Units, 1 Sheffield Clamp, 3 Reduction Units.



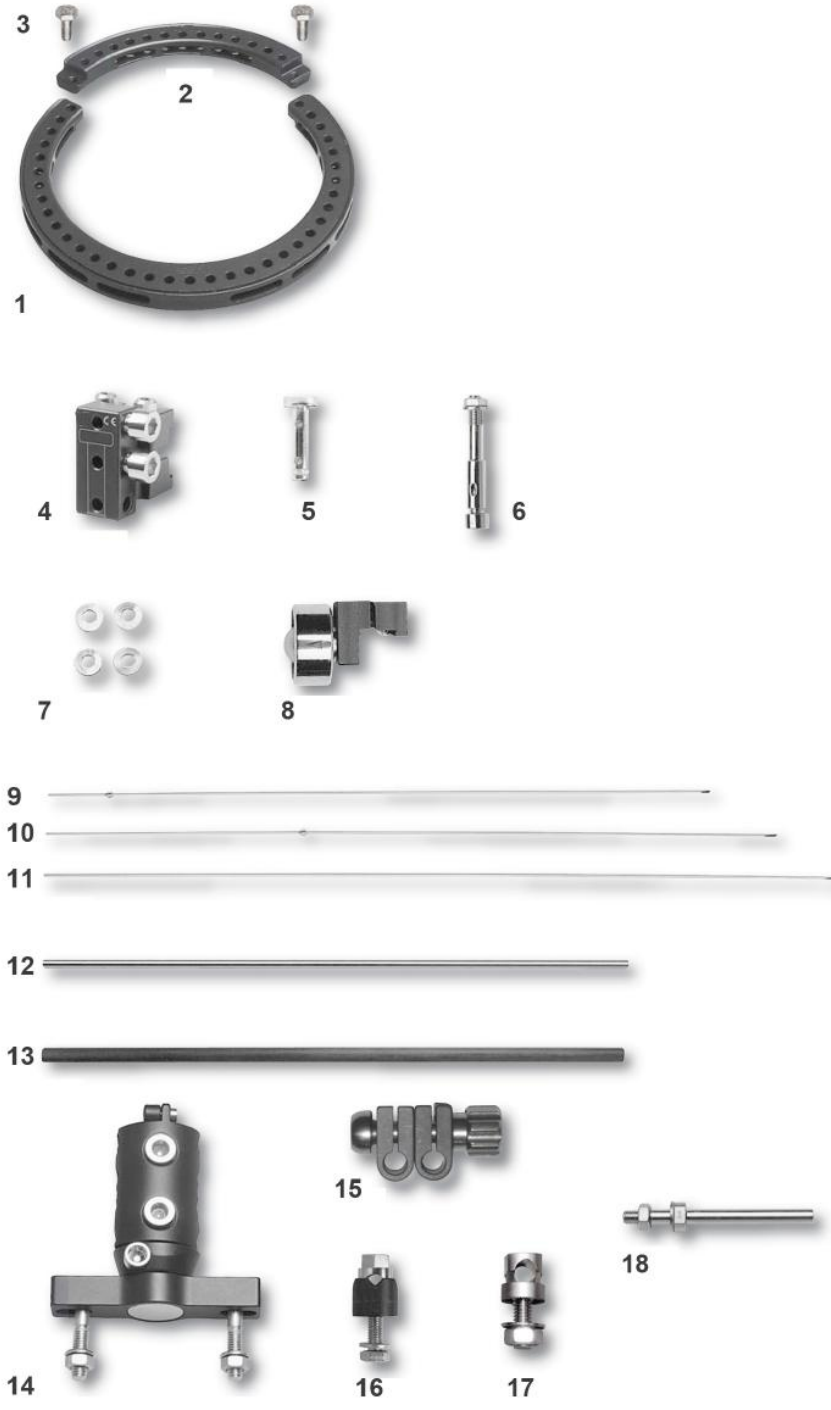
3

3

Hybrid Fixator Assembly SET

Consisting of: 2 2/3 Ring, 2 1/3 Rings, 4 Locking Screws, 1 Sheffield Clamp, 2 Hinge Clamps, 4 Threaded Bars, and 8 Nuts and Washers, 1 Compression-Distractor Clicker Unit, 2 Extension Plates and 2 Single Screw Clamps.

Components/Replacements



- 1
2/3 Rings
330567 Inner Ø 150
330569 Inner Ø 175
330571 Inner Ø 190
330573 Inner Ø 220
330565 Inner Ø 120
- 2
1/3 Rings
330566 Inner Ø 120
330568 Inner Ø 150
330670 Inner Ø 175
330672 Inner Ø 190
330674 Inner Ø 220
- 3
Bolt
81008-1 Bolts Length 16mm (set of 10)
81008-2 Bolts Length 20mm (set of 10)
81008-3 Bolts Length 24mm (set of 10)
- 4
8003 Three Hole Wire Clamp
Should be used with 1 or 2 wires only.
- 5
80002 Two Hole Pin Clamp
- 6
80001 Independent Wire Clamp
- 7
81023 Large Washer
- 8
81010 Hybrid Coupling
- 9
81011 K-Wire With Lateral Olive
- 10
81012 K-Wire With Central Olive
- 11
81013 K-Wire Without Olive
- 12
81048 6mm Rod (300mm)
81047 6mm Rod (200mm)
81046 6mm Rod (100mm)
- 13
81048-C 6mm Rod (300mm) Carbon
81047-C 6mm Rod (200mm) Carbon
81046-C 6mm Rod (100mm) Carbon
- 14
81000 Sheffield Clamp
- 15
81043 Supplementary Screw Holder Clamp
- 16
81042 Single Screw Clamp
- 17
81041 Half Pin Fixation Bolt
- 18
80044 Post

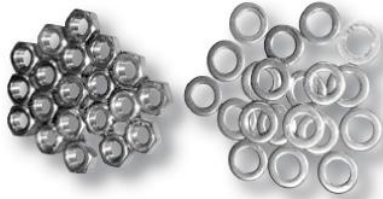
Components/Replacements



19



20



21

19
2000 Self-Lengthen Rod Distractor-Double Ring

20
81022 Revision Locking Screw Washer

21
81022 Nuts and Washer

Instrumentation



1



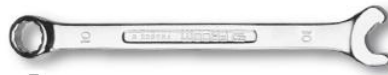
2



3



4



5



6

1
11000 Wire Guide

2
10025 Universal Allen Wrench

3
10016 Allen Wrench 6mm
10015 Allen Wrench 5mm
10014 Allen Wrench 4mm
10012 Allen Wrench 3mm

4
10025 Speed Wrench

5
10026 Speed Wrench

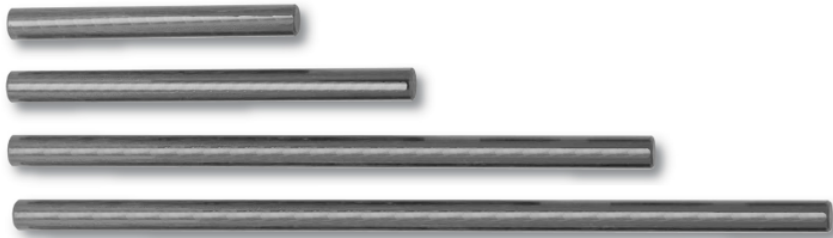
6
18001 2.0mm Wire Tensioner



1

- 1
Rod to Pin Fixator
- 2
Rods
- 3
14mm Rod Clip Clamp
- 4
14mm Pin Clip Clamp
- 5
Rod to Pin/Rod Clamp
- 6
Allen Wrench 5mm

Components/Replacements and Template



2



3

4

5

Instrumentation



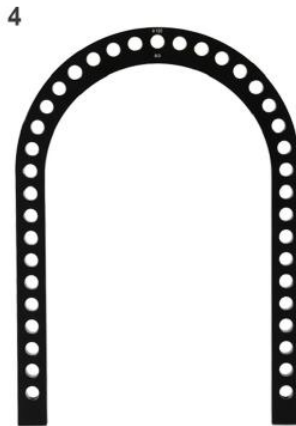
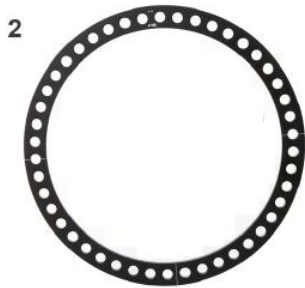
6



1

- 1
- 79000 A Deformity Correction Fixator (80mm)
- 79005 A Deformity Correction Fixator (100mm)
- 79010 A Deformity Correction Fixator (120mm)
- 79015 A Deformity Correction Fixator (130mm)
- 79020 A Deformity Correction Fixator (140mm)
- 80000 A Deformity Correction Fixator (150mm)
- 80002 A Deformity Correction Fixator (160mm)
- 80004 A Deformity Correction Fixator (170mm)
- 80006 A Deformity Correction Fixator (180mm)
- 80008 A Deformity Correction Fixator (200mm)
- 80014 A Deformity Correction Fixator (220mm)

External Supports

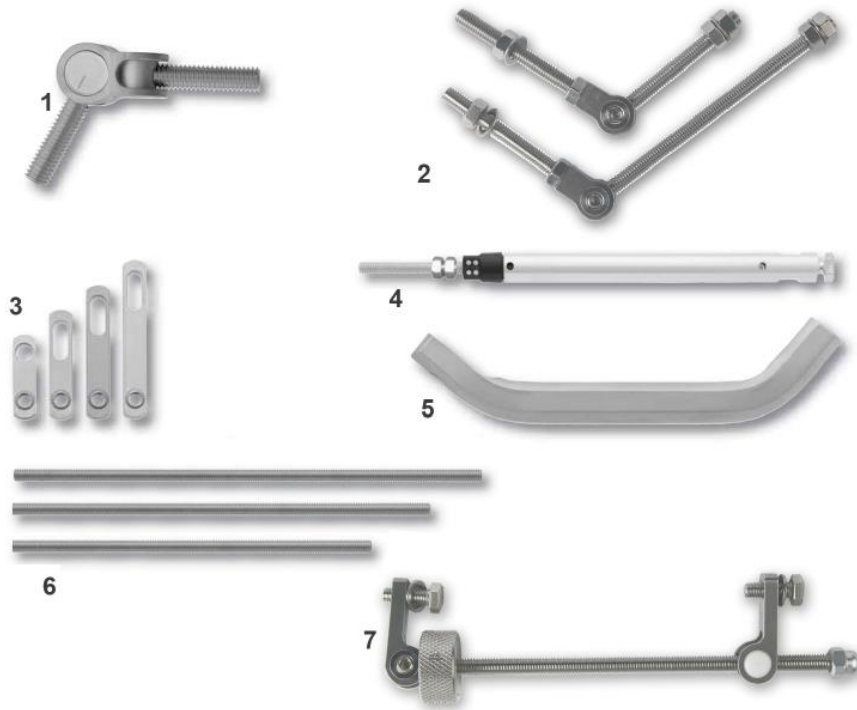


- 2
- Rings**
- 80150 150mm
- 80160 160mm
- 80170 170mm
- 80180 180mm
- 80200 200mm
- 80220 220mm
- 80240 240mm

- 3
- ½ Rings**
- 81120 Ø 120mm
- 81150 Ø 150mm
- 81170 Ø 170mm
- 81200 Ø 200mm

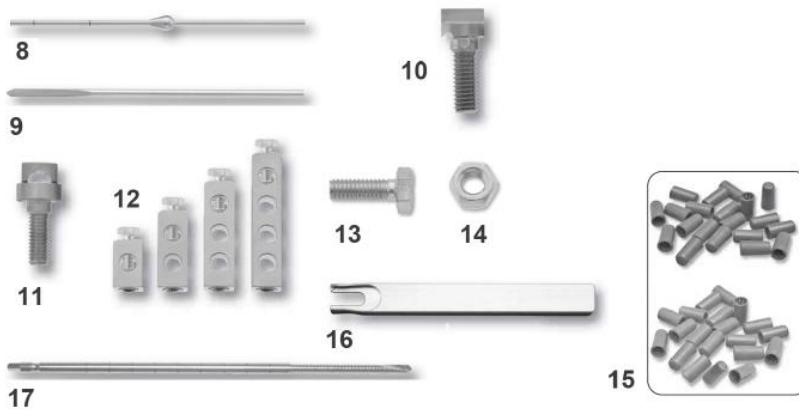
- 4
- 82120 Foot Ring 120mm
- 82150 Foot Ring 150mm

Hinges, Distractors and Connections



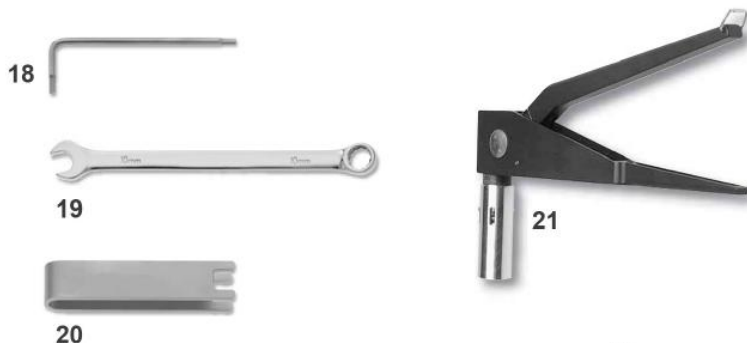
- 1
8000 Universal Hinge
- 2
8001 Inline Hinge
8002 Outboard Hinge
- 3
80036 20mm Plate
80038 30mm Plate
80040 40mm Plate
80042 50mm Plate
- 4
99070 Self-Lengthen Rod Distractor – 70mm
99100 Self-Lengthen Rod Distractor – 100mm
99150 Self-Lengthen Rod Distractor – 150mm
99200 Self-Lengthen Rod Distractor – 200mm
- 5
81043 Oblique Support Rod
- 6
81032 Threaded Rod 60mm, 81034 Threaded Rod 110mm
81035 Threaded Rod 150mm, 81039 Threaded Rod 200mm
81040 Threaded Rod 300mm, 81041 Threaded Rod 400mm

Fixation Elements



- 7
Angular Distractors
81010 Standard
81011 Long
- 8
80101 K wire Olive
- 9
80132 K wire
- 10
81008 Pin Bolt
- 11
81009 Half Pin Fixation Bolt
- 12
80034 1 Hole Post, 80035 2 Hole Post
80036 3 Hole Post, 80037 4 Hole Post
- 13
80100 Bolt (set of 10) Length 16mm, 20mm, 24mm
- 14
81022 Nuts (set of 10)
- 15
80200 Covers

Instrumentation



- 16
81021 Nut Applicator
- 17
81010 Half Pin
- 18
10106 Allen Wrench 6mm, 5mm, 4mm, 3mm
- 19
10025 Speed Wrench
- 20
10032 Wrench With Double Open Ends
- 21
18001 2.0mm Wire Tensioner

Transknee Fixator System



1
Transknee Fixator (L.R.S.) SET
 Consisting of:
 1 2/3 ring, 1 ring clamp,
 1 L.R.S. Transknee body

2/3 ring
 innerØ 150
 innerØ 175
 innerØ 190
 innerØ 120

2
Transknee Fixator (Rod to Pin) SET
 Consisting of:
 1 Rod to Pin Transknee body
 5 14mm Pin Clip Clamp (Peek Rod)



Self tapping screw

Screw Code	Shaft	Thread Length	Total Length	Thread
PLT6050220(5060)	6mm	50mm	220mm	50-60mm
PLT6060220(5060)	6mm	60mm	220mm	50-60mm
PLT6070220(5060)	6mm	70mm	220mm	50-60mm
PLT6050200(5060)	6mm	50mm	200mm	50-60mm
PLT6070200(5060)	6mm	70mm	200mm	50-60mm
PLT6040200(5060)	6mm	40mm	200mm	50-60mm
PLT6030200(5060)	6mm	30mm	200mm	50-60mm
PLT6060200(5060)	6mm	60mm	200mm	50-60mm
PLT6060190(5060)	6mm	60mm	190mm	50-60mm
PLT6050190(5060)	6mm	50mm	190mm	50-60mm
PLT6050180(5060)	6mm	50mm	180mm	50-60mm
PLT6060180(5060)	6mm	60mm	180mm	50-60mm
PLT6070180(5060)	6mm	70mm	180mm	50-60mm
PLT6040180(5060)	6mm	40mm	180mm	50-60mm
PLT6030180(5060)	6mm	30mm	180mm	50-60mm
PLT6040170(5060)	6mm	40mm	170mm	50-60mm
PLT6030150(5060)	6mm	30mm	150mm	50-60mm
PLT6040150(5060)	6mm	40mm	150mm	50-60mm
PLT6050150(5060)	6mm	50mm	150mm	50-60mm
PLT6060150(5060)	6mm	60mm	150mm	50-60mm
PLT6070150(5060)	6mm	70mm	150mm	50-60mm
PLT6050130(5060)	6mm	50mm	130mm	50-60mm
PLT6040130(5060)	6mm	40mm	130mm	50-60mm
PLT6030120(3545)	6mm	30mm	120mm	35-45mm
PLT6040120(5060)	6mm	40mm	120mm	50-60mm
PLT6040120(3545)	6mm	40mm	120mm	35-45mm
PLT6050120(5060)	6mm	50mm	120mm	50-60mm
PLT6040110(3545)	6mm	40mm	110mm	35-45mm
PLT6030110(5060)	6mm	30mm	110mm	50-60mm
PLT6040110(5060)	6mm	40mm	110mm	50-60mm
PLT6030100(5060)	6mm	30mm	100mm	50-60mm
PLT6030100(3545)	6mm	30mm	100mm	35-45mm
PLT6050100(5060)	6mm	50mm	100mm	50-60mm
PLT6040100(3545)	6mm	40mm	100mm	35-45mm
PLT6040100(5060)	6mm	40mm	100mm	50-60mm
PLT6030100(4045)	6mm	30mm	100mm	40-45mm
PLT6020100(3540)	6mm	20mm	100mm	35-40mm
PLT6040100(4045)	6mm	40mm	100mm	40-45mm
PLT603090(5060)	6mm	30mm	90mm	50-60mm
PLT603580(3235)	6mm	35mm	80mm	32-35mm
PLT603080(3235)	6mm	30mm	80mm	32-35mm
PLT602080(3540)	6mm	20mm	80mm	35-40mm
PLT403580(2530)	4mm	35mm	80mm	25-30mm
PLT602070(3235)	6mm	20mm	70mm	32-35mm
PLT402070(2530)	4mm	20mm	70mm	25-30mm
PLT402070(3033)	4mm	20mm	70mm	30-33mm



Self drilling screw

Screw Code	Shaft	Thread Length	Total Length	Thread
ZLO6080250(5060)	6mm	80mm	250mm	50-60mm
ZLO6060220(5060)	6mm	60mm	220mm	50-60mm
ZLO6040220(5060)	6mm	40mm	220mm	50-60mm
ZLO6050200(5060)	6mm	50mm	200mm	50-60mm
ZLO6060150(5660)	6mm	60mm	150mm	56-60mm
ZLO6050150(5660)	6mm	50mm	150mm	56-60mm
ZLO6040150(5660)	6mm	40mm	150mm	56-60mm
ZLO6040150(5060)	6mm	40mm	150mm	50-60mm
ZLO6050150(5060)	6mm	50mm	150mm	50-60mm
ZLO6050140(5060)	6mm	50mm	140mm	50-60mm
ZLO6050130(5060)	6mm	50mm	130mm	50-60mm
ZLO6040120(3545)	6mm	40mm	120mm	35-45mm
ZLO6050120(5060)	6mm	50mm	120mm	50-60mm
ZLO4030100(3033)	4mm	30mm	100mm	30-33mm
ZLO3030100(2530)	3mm	30mm	100mm	25-30mm
ZLO403580(3033)	4mm	35mm	80mm	30-33mm
ZLO403070(3033)	4mm	30mm	70mm	30-33mm
ZLO303070(2530)	3mm	50mm	70mm	25-30mm
ZLO302070(2530)	3mm	20mm	70mm	25-30mm
ZLO301570(2530)	3mm	15mm	70mm	25-30mm
ZLO301850(2530)	3mm	18mm	50mm	25-30mm
ZLO302045(2025)	3mm	20mm	45mm	20-25mm



Hydroxyapatite screw

Screw Code	Shaft	Thread Length	Total Length	Thread
HA1-PLT6050180(5060)	6mm	50mm	180mm	50-60mm
HA1-PLT6040170(5060)	6mm	40mm	170mm	50-60mm
HA1-PLT6030150(5060)	6mm	30mm	150mm	50-60mm
HA1-PLT6040150(5060)	6mm	40mm	150mm	50-60mm
HA1-PLT6050130(5060)	6mm	50mm	130mm	50-60mm
HA1-PLT6040130(5060)	6mm	40mm	130mm	50-60mm
HA1-PLT6030120(3545)	6mm	30mm	120mm	35-45mm
HA1-PLT6030110(5060)	6mm	30mm	110mm	50-60mm
HA1-PLT403580(2530)	4mm	35mm	80mm	25-30mm
HA1-PLT402070(2530)	4mm	20mm	70mm	25-30mm

We are dedicated to research and manufacture a complete line of Orthopedic External Fixators ,offering a cost effective & advance concept products to facilitate the orthopedic operations for the surgeon also bring enhanced comfort to the patient. To meet the involving customer needs requires that we put our clients at the center of all we do,a Innovate and high service support are daily improving.Meanwhile a systematic education & training system has been newly created.

As our distribution network are world widely,which cover Europe,Asia,South America etc.All products are CE and ISO certified..OEM & ODM service are also welcome in our company.

Professional,Innovate,Performance are our Mission & Core Value.

We sincerely welcome you to join in.

Peek Fixator
Micro Movement Fixator
Paediatric Fixator
Adult Limb Reconstruction System
Paediatric Limb Reconstruction System
Wrist Fixator
Mini Fixator
Minirail Fixator
Pelvic Fixator
Hybrid Fixator System
Rod to Pin
TK-Ring System
Bone Screws

